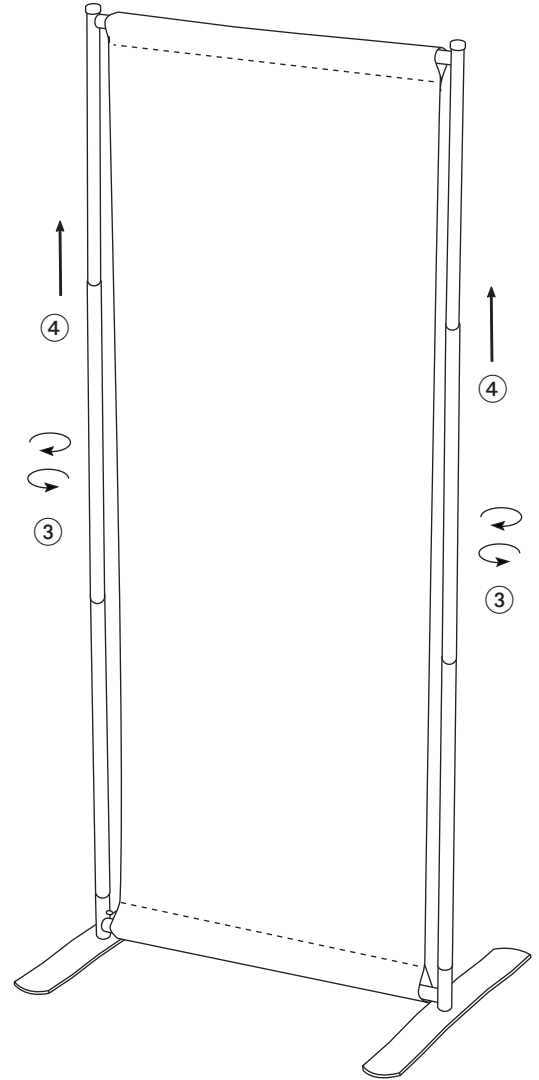
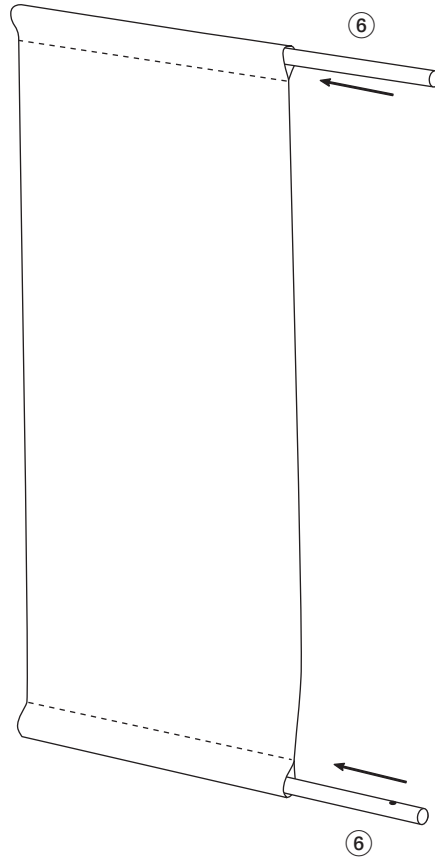
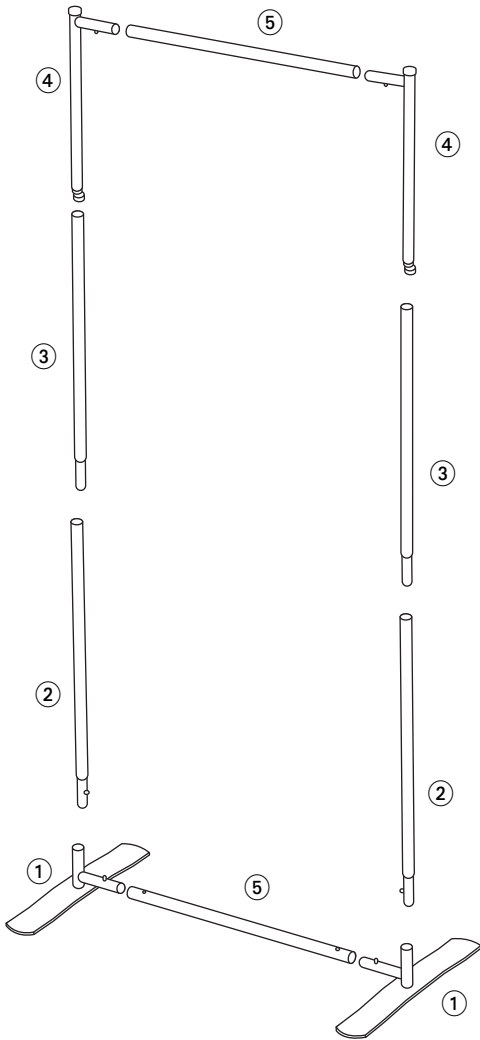




Power Frame Instruction Sheet



1

Place base ① on floor.

Slide vertical tube ② into base ① and snap in place.

Slide vertical tube ③ into vertical tube ②.

Slide top corner ④ into vertical tube ③.

Repeat for both sides.

2

Slide metal tubes ⑥ into top and bottom pockets on banners.

3

Snap banner into place.

Pull top corner ④ to height and twist tube ③ to lock.

adjust height to pull banner taut.